



SEPTEMBER 1, 2009

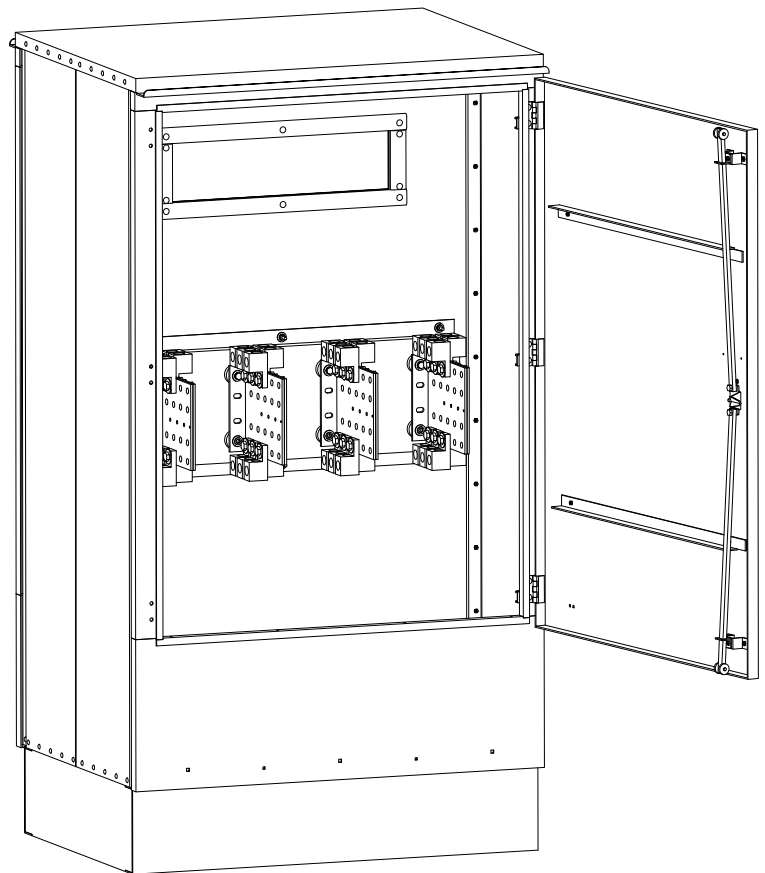
BULLETIN

PMTB-09C

www.ericksonelectric.com

1200 AMP. TO 2500 AMP.

PAD MOUNTED TERMINATION CABINETS



FILE NO. E113674

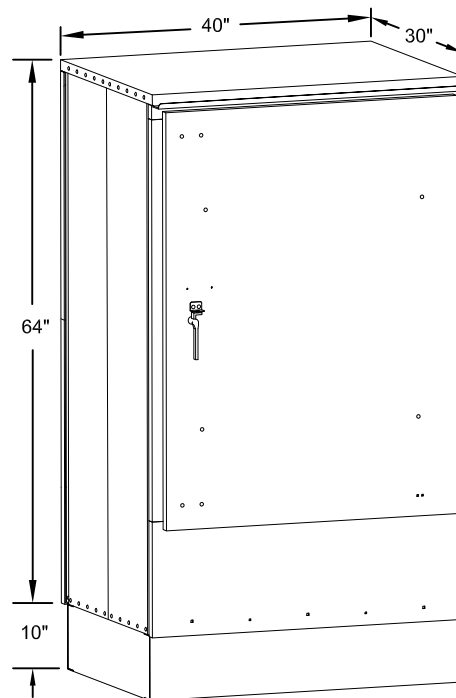
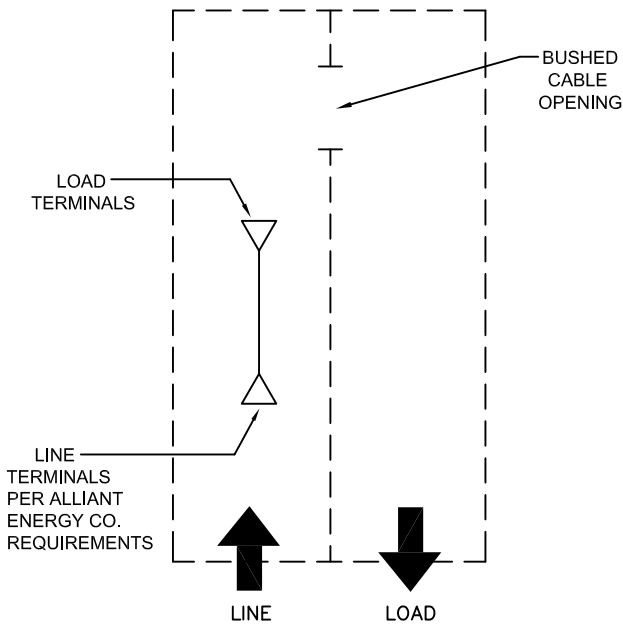
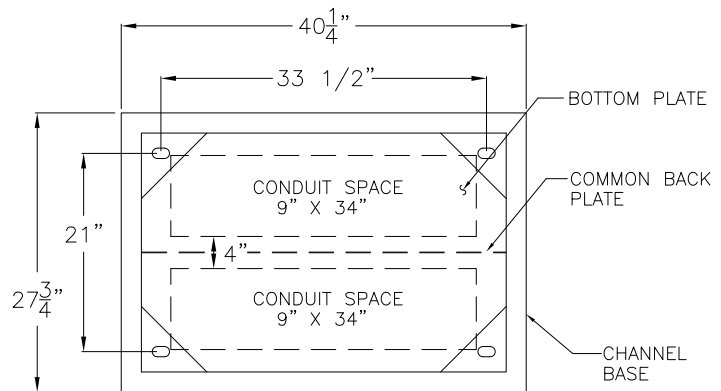
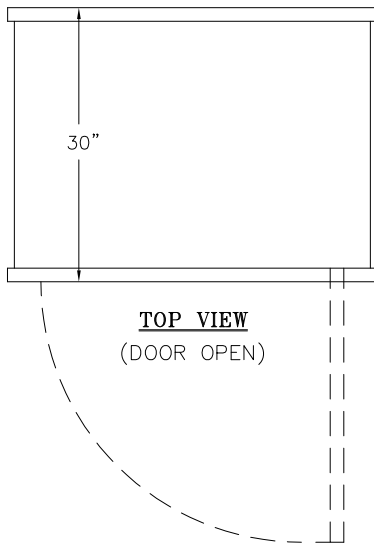
600 VOLT MAXIMUM
TYPE 3R ENCLOSURE

ERICKSON ELECTRICAL EQUIPMENT CO.
475 BONNIE LANE • ELK GROVE VILLAGE, IL 60007
TELEPHONE: (847) 640-7701 / 1-800-952-7225
FAX: (847) 640-0565

PAD MOUNTED TERMINATION CABINETS

600 VOLT MAX. CATALOG NUMBERS

AMPACITY	3 ϕ 4W	LUGS PER PHASE 300-800 KCM		UNPROTECTED FAULT CURRENT RATING	ENCLOSURE SIZE			SHIPPING WEIGHTS
		LINE	LOAD		WIDTH	HEIGHT	DEPTH	
1200	PMTB468N	5	3	85,000 Amp	40"	64"	30"	475#
1600	PMTB469N	4	4	85,000 Amp	40"	64"	30"	490#
2000	PMTB4610N	5	5	85,000 Amp	40"	64"	30"	500#
2500	PMTB4611N	7	7	85,000 Amp	40"	64"	30"	515#



ERICKSON ELECTRICAL EQUIPMENT CO.
 475 BONNIE LANE • ELK GROVE VILLAGE, IL 60007
 TELEPHONE: (847) 640-7701 / 1-800-952-7225
 FAX: (847) 640-0565